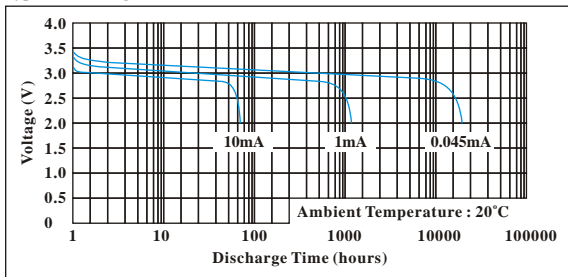


LITHIUM THIONYL CHLORIDE BATTERY

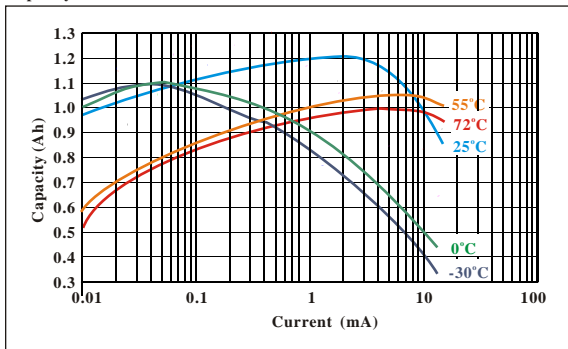
SPECIFICATIONS

| | | |
|-----------------------------|---|--|
| Model | : | ER14250 |
| Description | : | Lithium Thionyl Chloride Battery(LiSOCl ₂), Size '1/2AA' |
| Standard | : | IEC 86-4 and EN50020 intrinsic safety |
| Nominal Capacity | : | 1200mAh at 1mA continuous discharge |
| Nominal Voltage | : | 3.6 V |
| Cut-Off Voltage | : | 2.0 V |
| Weight | : | 10 g |
| Shelf-Life | : | 8 years ex-factory |
| Operating Temperature Range | : | -55degreeC to +70 degreeC |
| Recommended Drain | : | Standard : 1mA Continuous < 40mA Pulse < 200mA |
| Service Life | : | 65hrs at 10mA continuous discharge 1200 hrs at 1mA continuous discharge |
| Warning | : | Do not short circuit. Do not recharge. Do not overdischarge. Do not disassemble. Do not put on fire. Do not inverse polarity. Do not mix new and old battery. Do not mix with different battery types. |

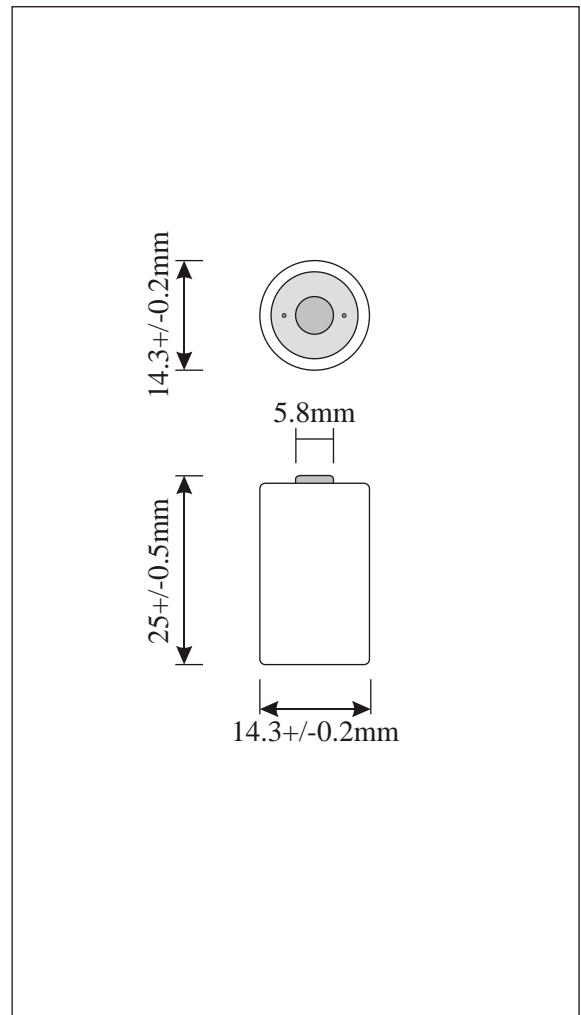
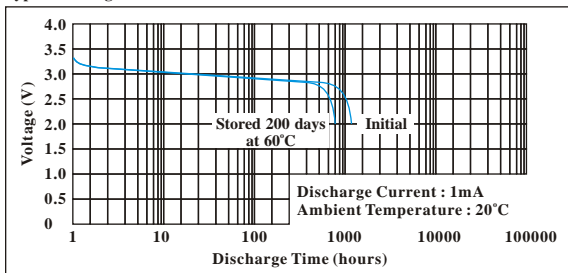
Typical Discharge Characteristics



Capacity vs Current Characteristics



Typical Storage Characteristics



Information is for references only.

Model : ER14250
Version : 2.0

GB CELL

ERA02/2